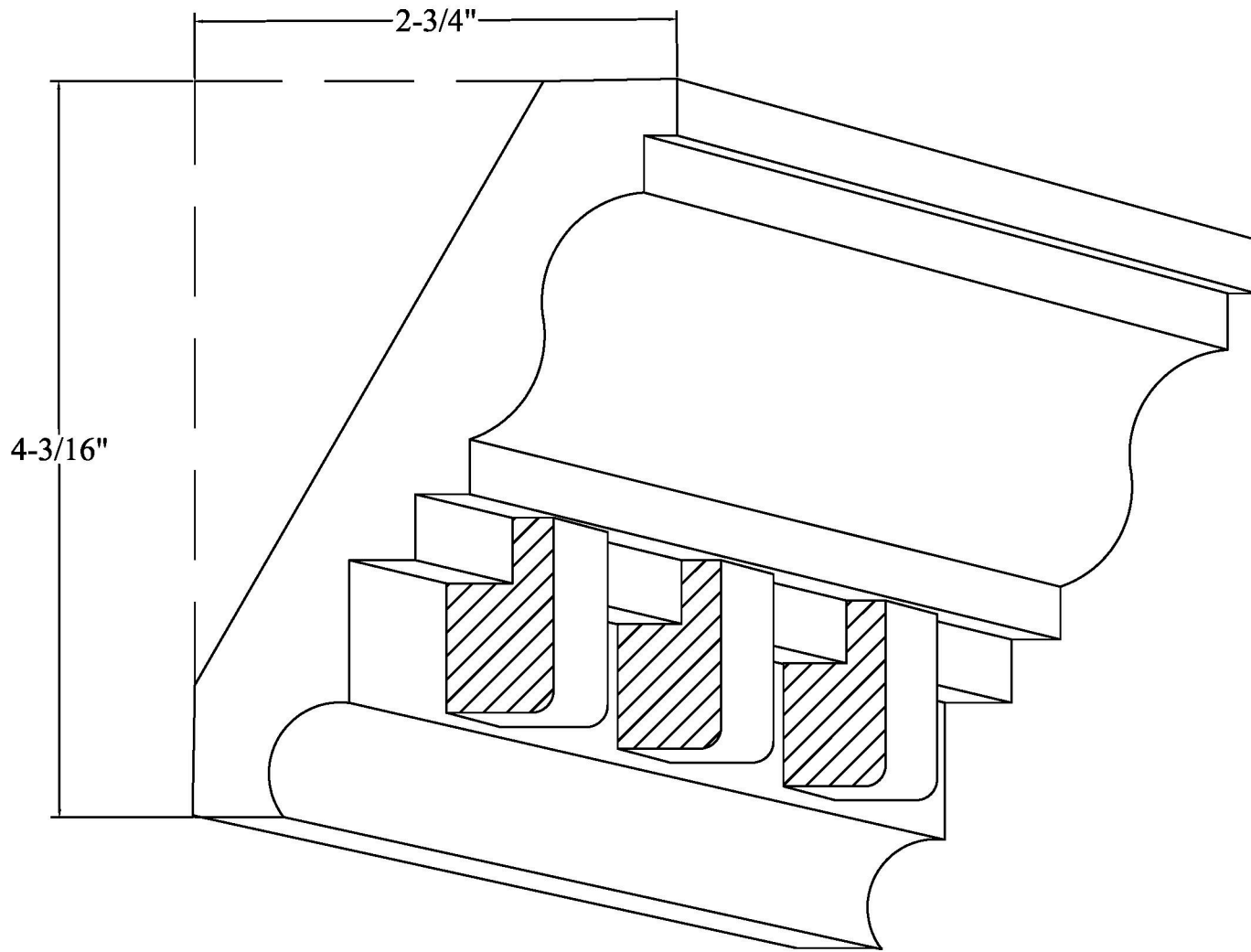


MIDWESTERN WOOD PRODUCTS CO.

1500 West Jefferson, P.O. Box 434 Morton, Illinois 61550

Phone 309/266-9771 FAX 309/263-2696

www.woodgrid.com



**PT 43 Dentil
Crown
3/4 x 5**

Page 17